



Purna International School

Shree Swaminarayan Gurukul, Zundal

SUMMATIVE ASSIGNMENT -2 2022-23

Grade – Jr.KG

Subject- EVS

Syllabus - FROM TEXTBOOK

Q. 1 Look at the picture and write the first letter of the season and colour it.



Rainy



Summe

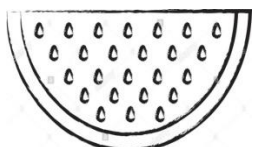


Winter

Q. 2 Circle the vegetables.



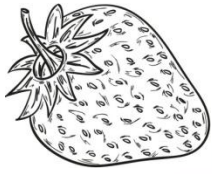
Q.3 Look at the picture and state whether the fruit has one, few or many seeds. For One seed write (O), few seed (F) and many seed (M).



M



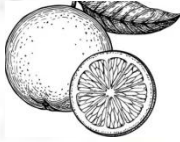
O



M



E



E

Q.4 Match the body parts



Ear



Tongue



Lip



Head



Hand



Eye

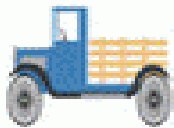
Q. 5 Fill in the missing letters.



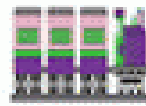
B _ _ s



C _ _ r



Lo _ _ ry



Tr _ _ in



S _ _ hip



Tra _ _ tor

Q. 6 Look at the picture and write the missing letters.



R o s e e



D a i s y



T u l _ i p



_ M a r i g o l d


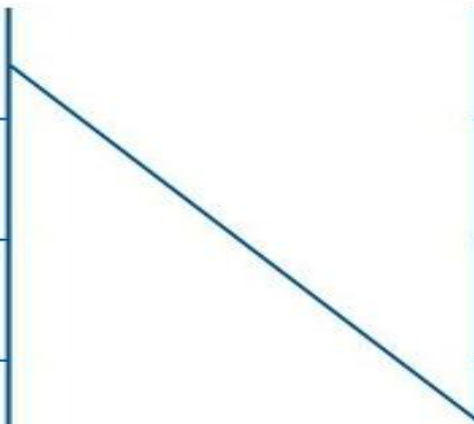






B u t t e r c u p

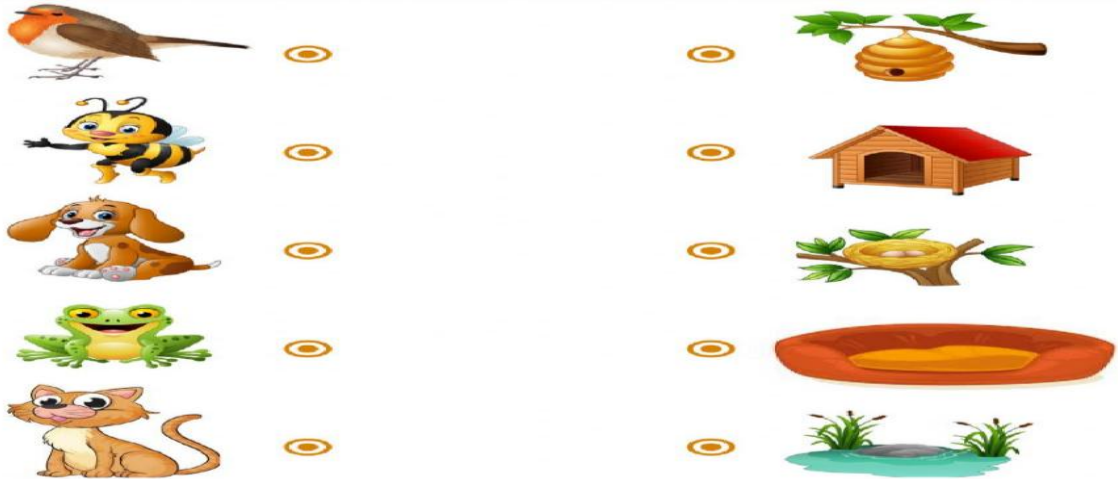


_ O r c h _ i d

Q 7 Match the flowers with their names.

		sunflower
		Rose
		Tulip
		Daisy
		lily

Q 8 Match the animals with their homes.



Q 9 Circle the water animals.



Q 10 Write the first letter of these animals.



___ion



___eer



___ouse



___olf



___at



___abbit

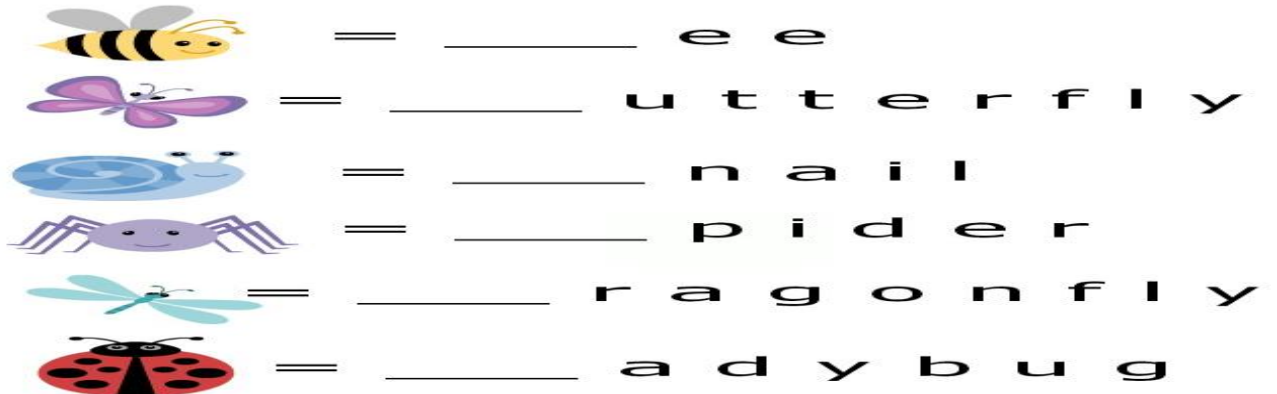


___anda

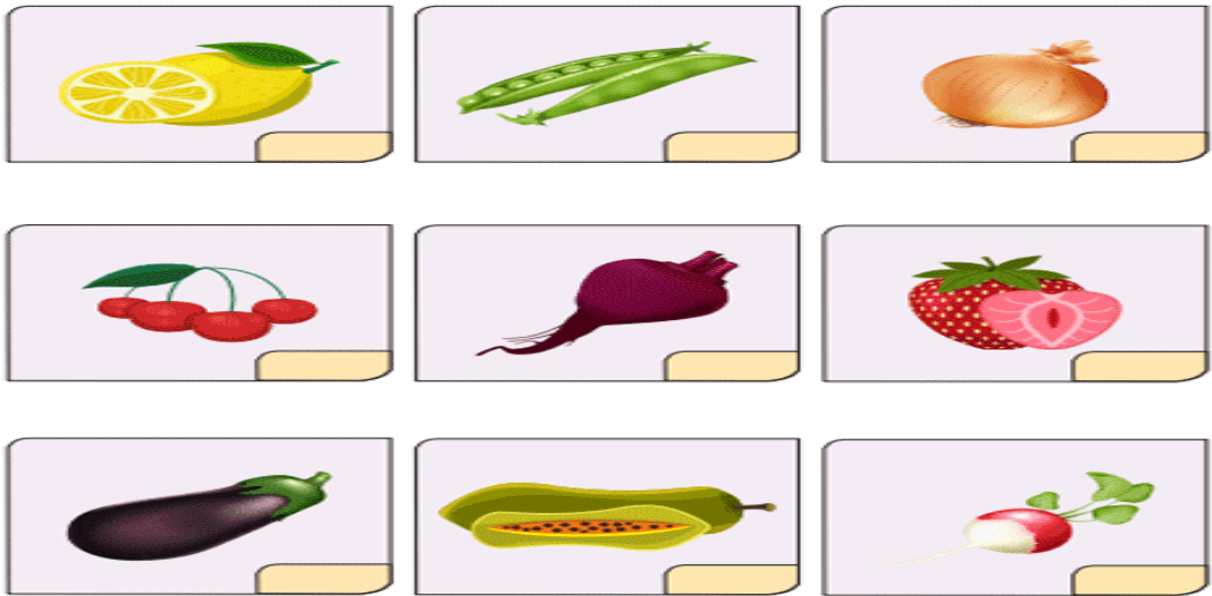


___ox

Q 11 Write the first letter of these insects.



Q 12 Write 'F' for fruits and 'V' for vegetables in the given box.



Q 13 Circle the healthy food and cross the unhealthy food.



1. Label the helpers by looking at their pictures. Drag and paste their names in the boxes given.



Doctor



Postman



Tailor

2. Look at the pictures and match the tools of the helpers.



3. Who am I? Click on the right answer.



TEACHER

BAKER

1. Identify the following professions:

(a)



(b)



(c)



(d)



(e)



2. Write the name of the helper who uses the following tools:

(a)  _____

(b)  _____

(c)  _____

(d)  _____

(e)  _____

3. Mention one way by which each of the following help you:

- a. Farmer
- b. Waste picker
- c. Taxi / Auto/ Rickshaw driver

Fill in the blanks with the correct option.

[wash, sleeping beauty, leg, lion, peacock]

1. _____ is our national bird.
2. I am cub. I grow into a _____.
3. You would _____ your hand before eating.
4. _____ of a table.
5. _____ is a famous story.

General Knowledge questions

Q 1 What is your name?

Ans:- _____.

Q 2 How many days are there in a week?

Ans:- _____.

Q 3 How many months are there in a year?

Ans:- _____.

What animal am I?

Q1) I eat grass and I provide milk to human beings. I have 4 legs.

- a) Dog b) Cow c) Money d) Cat

Q2) I am a soft and furry pet. I have sharp teeth and claws. I like to eat mice.

- a) Ox b) Bear c) Cat d) Elephant

Q3) I can smell things and have 4 legs. I can wag my tail and like to play.

- a) Tiger b) Goat c) Elephant d) Dog

Q4) I am very big and heavy. I have 4 legs and 2 big ears. My long nose is known as trunk.

- a) Zebra b) Tiger c) Elephant d) Monkey

Q5) I have 2 legs, 2 wings and a tail. I eat worms and insects. I lay eggs.

- a) Beer b) Hen c) Cow d) Lion

Q6) I am very big and furry. I live in the woods. I have a big nose, 4 legs and a tail.

- a) Bear b) Tiger c) Dog d) Spider

Q 4 Who is the Prime Minister of India?

Ans:- _____.

Q 5 What is the colour of a rainbow?

Ans:- _____.

Q 6 What is the colour of a leaf?

Ans:- _____.

Q 7 What is the colour of a sky?

Ans:- _____.

Q 8 What is your favourite food?

Ans:- _____.

Q 9 Which bird is the smallest bird?

Ans:- _____.

Q 10 Which bird cannot fly?

Ans:- _____.

Q 11 Which alphabet comes after Y?

Ans:- _____.

Q 12 What is the colour of our National flag?

Ans:- _____.

Q 13 Which is our National bird?

Ans:- _____.

Q 14 Which is our National animal?

Ans:- _____.

Q 15 Which is our National game?

Ans:- _____.

Q 16 Which is our National tree?

Ans:- _____.

Q 17 Which is our National flower?

Ans:- _____.

Q 18 Which is our National fruit?

Ans:- _____.

Q 19 Which is our National anthem?

Ans:- _____.